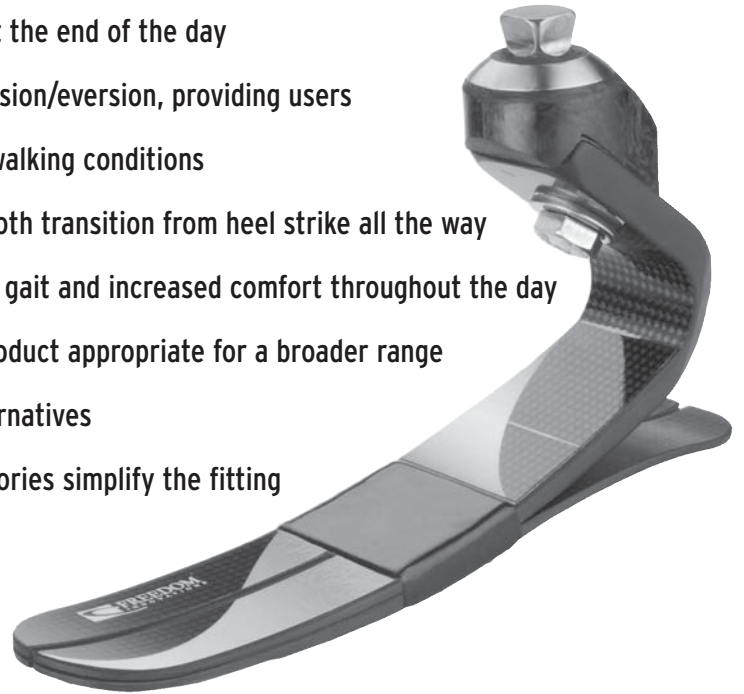


## PROMENADE™ PROSTHETIC FOOT (VS2)

*Designed specifically for low impact amputees*

- Near effortless roll-over optimized for low impact amputees, so they can do more and feel better at the end of the day
- Partial split toe offers controlled inversion/eversion, providing users enhanced confidence for a variety of walking conditions
- Full length sole plate facilitates a smooth transition from heel strike all the way through toe off, providing a more fluid gait and increased comfort throughout the day
- The 325lb. weight rating makes the product appropriate for a broader range of users compared to competitive alternatives
- Sole pyramid and only 5 stiffness categories simplify the fitting process, saving you time and money
- The 60 day trial period and 36 month warranty protect your investment and provide peace of mind over the duration of the product's life



PROMENADE™  
PROSTHETIC FOOT (VS2)

# PROMENADE™ PROSTHETIC FOOT (VS2)

**Size\*: 22-30 cm**

\*Special Order Size 31 cm

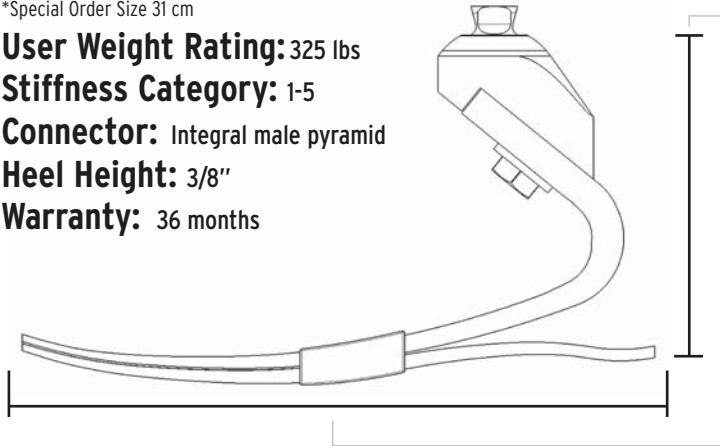
**User Weight Rating:** 325 lbs

**Stiffness Category:** 1-5

**Connector:** Integral male pyramid

**Heel Height:** 3/8"

**Warranty:** 36 months



## Clearance & Weight:

Size	Clearance	Avg. Weights	
		Foot	Shell
22-25 cm	4.8 in	280g	127g
26-28 cm	5.2 in	330g	159g
29-31 cm	5.6 in	375g	219g

## REQUIRED ACCESSORIES

### Cosmetic Foot Shell:

Mid-profile (Default) FTC-2M

High-profile (Optional) FTC-2H

Choice of caucasian or ebony skin tone

## OPTIONAL ACCESSORIES

- **Foot Shell Removal Tool- Part #ACC-00-103**
- **Additional Spectra Sock- Part #ACC-00-101xx**  
(Choose 12", 14", or 18" length)