

# Adapter Order Form

Order Date: \_\_\_\_\_ Requested Ship Date: \_\_\_\_\_

Ordered By: \_\_\_\_\_ Ship Via:  Ground  2nd Day  Next Day  Early AM

PO #: \_\_\_\_\_ Ship Notes: \_\_\_\_\_

Special Order Notes: \_\_\_\_\_

## Bill To:

Name \_\_\_\_\_

Address \_\_\_\_\_

City \_\_\_\_\_

State \_\_\_\_\_ Zip \_\_\_\_\_

Phone ( \_\_\_\_\_ ) \_\_\_\_\_

## Ship To:












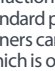
Name \_\_\_\_\_












Address \_\_\_\_\_

City \_\_\_\_\_





State \_\_\_\_\_ Zip \_\_\_\_\_

Phone ( \_\_\_\_\_ ) \_\_\_\_\_

Qty	General Use Adapters	
	Tube Clamp, 30 mm, Female Pyramid	
	Tube Clamp, 30 mm, Male Pyramid	
	Tube w/Female Pyramid 30 mm x 100 mm	
	Tube w/Titanium Female Pyramid, 30 mm x 400 mm	
	Pyramid, 4 Hole, Male	
	Pyramid, 4 Hole, Female	
	Male Pyramid, Rotating, 4 Hole Base	
	Female Pyramid, Rotating, 4 Hole Base	
	Base, 4 Hole, Rotating Pyramid	
	Base, 3 Prong, Rotating Pyramid	
	Pyramid, Rotating, Male	
	Pyramid, Rotating, Female	

Qty	General Use Adapters	
	Tube, 30 mm graphite, 15", 3 mm wall, Aluminum Inserts	
	Tube, 30 mm graphite, 9", 3 mm wall, Aluminum Inserts	
	Tube, 30 mm graphite, 15", 4 mm wall, Aluminum Inserts	
	Tube, 30 mm graphite, 9", 4 mm wall, Aluminum Inserts	
	Pyramid, 4 Prong, Male	
	Lamination Ring, 4 Hole	
	Adapter, Double Female Pyramid, 32 mm	
	Adapter, Double Female Pyramid, 45 mm	
	Adapter, Double Female Pyramid, 60 mm	
	Adapter, Double Female Pyramid, 75 mm	
	Alignment Jig Pyramid, Assembly with 10 mm bolt (for use with category 6-9 foot products)	

Qty	Silhouette Adapters	
	Tube Clamp, 34 mm, Female Pyramid	
	Tube Clamp, 34 mm, Male Pyramid	
	Insert to 34 mm Tube Clamp, Silhouette, Custom Fabrication	
	34 mm Offset Tube Clamp	
	Versa Clamp Adapter Kit	
	Extended Tube Clamp, 34 mm, Female Pyramid	
	Spacer Ring	
	Knee Pyramid Adapter, Male 30 mm	
	Mounting Bracket Kit for Innovative Neurotronic's V-Hold™	

Qty	Heavy Duty Adapters	
	Heavy Duty Adapter Kit (includes two clamps, one 4-ear connector, one tube)	
	Tube Clamp, 34 mm	
	4 Ear Connector for 34 mm Sys	
	Carbon Pylon/Tube	

## Returns, Adjustments, Credits

We are committed to the complete satisfaction of the prosthetist and amputee. We deliver most products with a 60 day "Satisfaction Guarantee." If you are dissatisfied with a Freedom standard production product for any reason, you may return it for a full refund within 60 days of the original invoice date. Modular components and liners can be returned within 60 days of purchase only if their packaging is unopened. All returns require a Return Authorization Number (RA#), which is obtained by calling Freedom Innovations Customer Service or the Distributor through which the product was originally ordered. No returns will be accepted without an RA #.

**A restocking fee of 20% may be applied to orders returned after the 60 day Satisfaction Guarantee.**

Internal Use CS Rep: \_\_\_\_\_ Date: \_\_\_\_\_ Order #: \_\_\_\_\_

F-720-XXX FI Adapter Order Form, External, Rev. B

30 Fairbanks, Suite 114, Irvine CA 92618  
 toll-free 888.818.6777 tel 949.672.0032  
 fax 949.672.0084  
 www.freedom-innovations.com

